

UKCA Type Examination Certificate

This is to certify that:

Atwell Limited
T/A Cameron Design
The Studio
1 Prescott Close
Northampton
NN3 5HZ
United Kingdom

Holds Certificate Number:

UKCA 566507

In respect of:

Overspeed governor model VG OSG

On the basis of our examination of products under the requirements of Annex IV:A of the Lift Regulations 2016 as amended by The Product Safety and Metrology etc. (Amendment etc.)(EU Exit) Regulations 2020 (SI 2020/676) Safety Components of Lifts as recorded in the BSI Report they were found to comply with the Essential Requirements as detailed in Schedule 1 of the Regulations. Any modification to the design of these products will invalidate this UKCA certificate and the Approved Body, number 0086 must be informed without delay.

For and on behalf of BSI, an Approved
Body for the above Regulation
(Approved Body Number 0086):

Frank Lee, Product Certification Technical and Compliance Director

First Issued: 2011-05-24

Latest Issue: 2021-04-21

Effective Date: 2021-04-21

Page: 1 of 4

...making excellence a habit.™

UKCA Type Examination Certificate

No. UKCA 566507

This Type-Examination certificate is only valid when the overspeed governor model VG OSG is installed to operate under the following conditions:

1.	Rated Speeds (m/s):	Max. 7.080	Min. 0.833
2.	Tripping Speeds (Minimum) (m/s):	8.142	0.03795
3.	Tripping Speeds (Maximum):	0.8 m/s for instantaneous safety gears except for the captive roller type; or 1.0 m/s for safety gears of the captive roller type; or 1.50 m/s for progressive safety gear used for rated speeds not exceeding 1.0 m/s; or 8.885 m/s for progressive safety gear for rated speeds exceeding 1.0 m/s.	
4.	Spring Designation:	N/A	
5.	Specified diameter and construction of rope:	Dia. 8.0 mm and Dia. 10.0 mm rope with a construction of 6 x 19 Fibre Core, ordinary lay	
6.	Minimum Pull through force (N):	300	
7.	Minimum tensioning force (N):	500	
8.	Jaw Switch fitted:	Yes	
9.	Arc of engagement:	180°	
10.	Designated Standard(s):	BS EN 81-20:2014 - Safety rules for the construction and installation of lifts - Lifts for the transport of persons and goods Part 20: Passenger and goods passenger lifts. BS EN 81-50:2014 - Safety rules for the construction and installation of lifts - Examinations and tests Part 50: Design rules, calculations, examinations and tests of lift components.	

First Issued: 2011-05-24

Effective Date: 2021-04-21

Latest Issue: 2021-04-21

Page: 2 of 4

This certificate has been issued by and remains the property of BSI Assurance UK Ltd, Kitemark Court, Davy Avenue, Knowlhill, Milton Keynes MK5 8PP, United Kingdom and should be returned immediately upon request.
To check its validity telephone +44 (0) 345 080 9000. An electronic certificate can be authenticated [online](#).

UKCA Type Examination Certificate

No. UKCA 566507

11.	Additional Manufacturing site(s):
	Atwell International Ltd. Ball Mill Top Business Park Hallow Worcester WR2 6PD United Kingdom
	Under the Manufacturers instructions, the VG Overspeed governor can be used as part of a UCMP system incorporating VG Safety Gears VG-2a, VG-4, VG-5 or VG-6 and VG Rope Brake.
	Type testing initially commenced on the 18 January 2011 then subsequent updates undertaken by BSI, UK as detailed in technical documentation review under BSI Report No. 289/9749517 dated 19 March 2019.

First Issued: 2011-05-24

Effective Date: 2021-04-21

Latest Issue: 2021-04-21

Page: 3 of 4

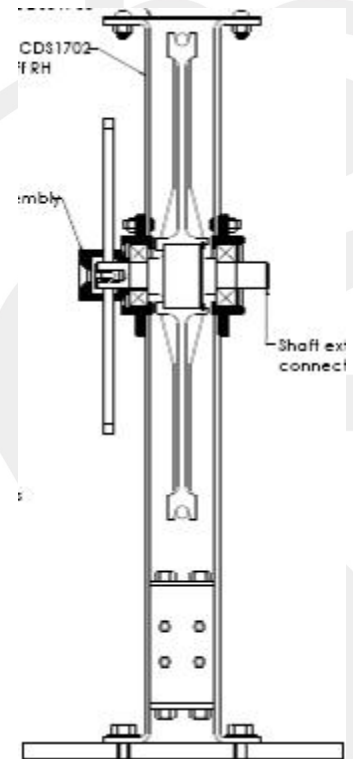
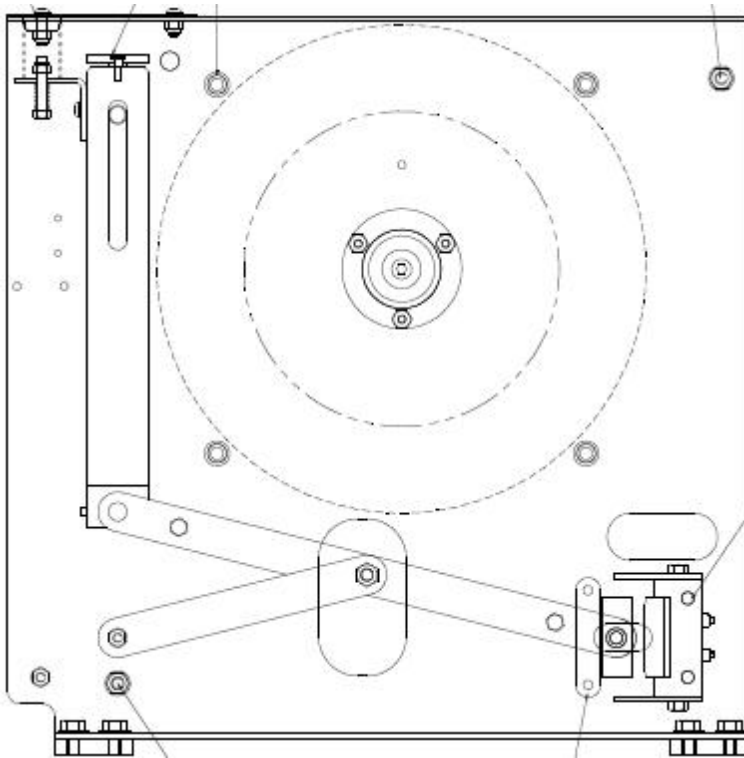
This certificate has been issued by and remains the property of BSI Assurance UK Ltd, Kitemark Court, Davy Avenue, Knowlhill, Milton Keynes MK5 8PP, United Kingdom and should be returned immediately upon request.
To check its validity telephone +44 (0) 345 080 9000. An electronic certificate can be authenticated [online](#).

BSI Assurance UK Limited, registered in England under number 7805321 at 389 Chiswick High Road, London W4 4AL, UK.
A member of BSI Group of Companies.

UKCA Type Examination Certificate

No. UKCA 566507

Overspeed Governor model VG OSG



First Issued: 2011-05-24

Latest Issue: 2021-04-21

Effective Date: 2021-04-21

Page: 4 of 4

This certificate has been issued by and remains the property of BSI Assurance UK Ltd, Kitemark Court, Davy Avenue, Knowlhill, Milton Keynes MK5 8PP, United Kingdom and should be returned immediately upon request.
To check its validity telephone +44 (0) 345 080 9000. An electronic certificate can be authenticated [online](#).

BSI Assurance UK Limited, registered in England under number 7805321 at 389 Chiswick High Road, London W4 4AL, UK.
A member of BSI Group of Companies.