

**SCelta DEI SUPPORTI E PATTINI - CHOISE OF GUIDE SHOES**

PARAMETRI DI SCELTA	CHOISE PARAMETERS	TIPO TYPE T300	TIPO TYPE T301	TIPO TYPE T305	TIPO TYPE T306	TIPO TYPE T409	TIPO TYPE T410	TIPO TYPE T510/1	TIPO TYPE T510/2	TIPO TYPE T511/1	TIPO TYPE T511/2	TIPO TYPE T843/1	TIPO TYPE T843/2	TIPO TYPE T843/3	TIPO TYPE T856	TIPO TYPE T600	TIPO TYPE T731 T731H	TIPO TYPE T732	TIPO TYPE T733
PORTATA MAX KG. 1000	MAX LOAD 1000 KGS	●	—	—	—	—	—	—	—	—	—	●	●	●	●	●	●	●	●
PORTATA MAX KG. 1500	MAX LOAD 1500 KGS	—	—	—	—	●	—	—	—	—	—	—	—	—	—	—	—	—	—
PORTATA MAX KG. 2000	MAX LOAD 2000 KGS	—	●	—	—	—	—	—	—	—	—	—	—	—	—	—	—	—	—
PORTATA MAX KG. 2500	MAX LOAD 2500 KGS	—	—	—	—	—	●	—	—	—	—	—	—	—	—	—	—	—	—
PORTATA MAX KG. 3500	MAX LOAD 3500 KGS	—	—	—	—	—	—	—	—	●	●	—	—	—	—	—	—	—	—
PORTATA MAX KG. 4000	MAX LOAD 4000 KGS	—	—	●	—	—	—	●	●	—	—	—	—	—	—	—	—	—	—
PORTATA MAX KG. 7000	MAX LOAD 7000 KGS	—	—	—	●	—	—	—	—	—	—	—	—	—	—	—	—	—	—
PER GUIDE DA 5 A 16 mm.	FOR GUIDE FROM 5 TO 16 mm.	—	—	—	—	—	—	—	—	—	—	—	—	—	—	●	●	●	—
PER GUIDE DA 5 A 9 mm.	FOR GUIDE FROM 5 TO 9 mm.	—	—	—	—	—	—	—	—	—	—	—	—	—	—	—	—	—	●
PER GUIDE DA 6 A 12 mm.	FOR GUIDE FROM 6 TO 12 mm.	●	●	—	—	—	—	●	—	●	—	●	—	●	●	—	—	—	—
PER GUIDE DA 14 A 16 mm.	FOR GUIDE FROM 14 TO 16 mm.	—	—	—	—	●	●	—	●	—	●	—	●	—	—	—	—	—	—
PER GUIDE DA 19 mm.	FOR GUIDE FROM 19 mm.	—	—	●	●	—	—	—	—	—	—	—	—	—	—	—	—	—	—
PER GUIDE DA 28,6 mm.	FOR GUIDE FROM 28,6 mm.	—	—	—	●	—	—	—	—	—	—	—	—	—	—	—	—	—	—
CON GUARNIZ. IN PLASTICA	WITH PLASTIC GUARNITURE GUIDE	●	●	—	—	●	●	●	●	●	●	●	●	●	●	—	—	—	—
CON GUARNIZ. IN OTTONE	WITH BRASS GUARNITURE GUIDE	—	—	●	●	—	—	—	—	—	—	—	—	—	—	—	—	—	—
INT. FORI 50 mm.	DISTANCE BETWEEN FIXING HOLES 50 mm.	—	—	—	—	—	—	—	—	—	—	—	—	—	—	—	—	—	●
INT. FORI 64 mm.	DISTANCE BETWEEN FIXING HOLES 64 mm.	—	—	—	—	—	—	—	—	—	—	—	—	—	●	—	—	—	—
INT. FORI 84 mm.	DISTANCE BETWEEN FIXING HOLES 84 mm.	—	—	—	—	—	—	—	—	—	—	—	—	—	—	—	●	●	—
INT. FORI 100 mm.	DISTANCE BETWEEN FIXING HOLES 100 mm.	—	—	—	—	—	—	—	—	—	—	●	●	●	—	●	—	—	—
INT. FORI 140 mm.	DISTANCE BETWEEN FIXING HOLES 140 mm.	—	—	●	—	—	—	—	—	●	—	—	—	—	—	—	—	—	—
INT. FORI 180 mm.	DISTANCE BETWEEN FIXING HOLES 180 mm.	●	●	—	—	●	●	—	—	—	—	—	—	—	—	—	—	—	—
INT. FORI 200 mm.	DISTANCE BETWEEN FIXING HOLES 200 mm.	—	—	—	●	—	—	—	—	—	—	—	—	—	—	—	—	—	—
INT. FORI 240 mm.	DISTANCE BETWEEN FIXING HOLES 240 mm.	—	—	—	—	—	—	●	●	—	—	—	—	—	—	—	—	—	—

● = DISPONIBILE / AVAILABLE / — = NON DISPONIBILE / NOT AVAILABLE

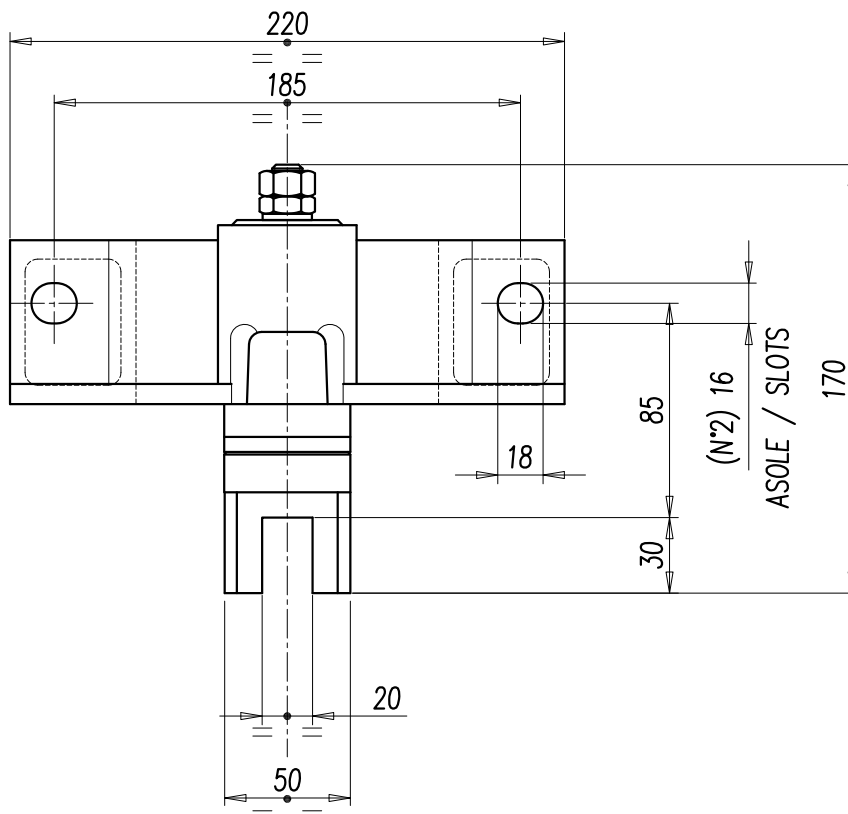
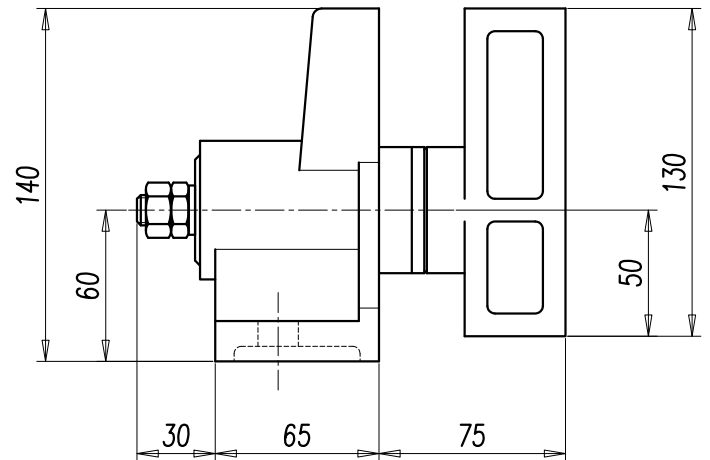
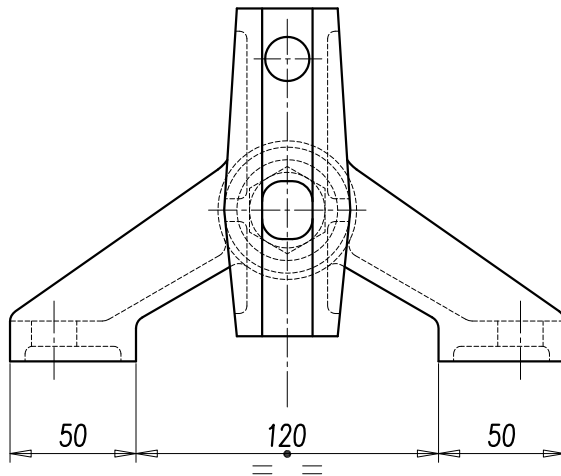


COMPONENTI MECCANICI  
PER ASCENSORI  
MECHANICAL LIFT  
COMPONENTS

PATTINO T-300  
GUIDE SHOES T-300

T-244

COD.8024430000



– DISPONIBILE A RICHIESTA COMPLETO DI  
GUARNIZIONE IN PLASTICA PER GUIDE  
DA 6 mm. A 12 mm.

– PESO 4 Kg.

– PORTATA 1000 Kg.

– FORNIBILE CON OLIAIORE

– AVAILABLE TO REQUEST COMPLETE WITH  
PLASTIC GUARNITURE FOR GUIDE FROM  
6 mm. UP TO 12 mm.

– WEIGHT 4 Kgs.

– LOAD 1000 Kgs.

– AVAILABLE WITH OILER

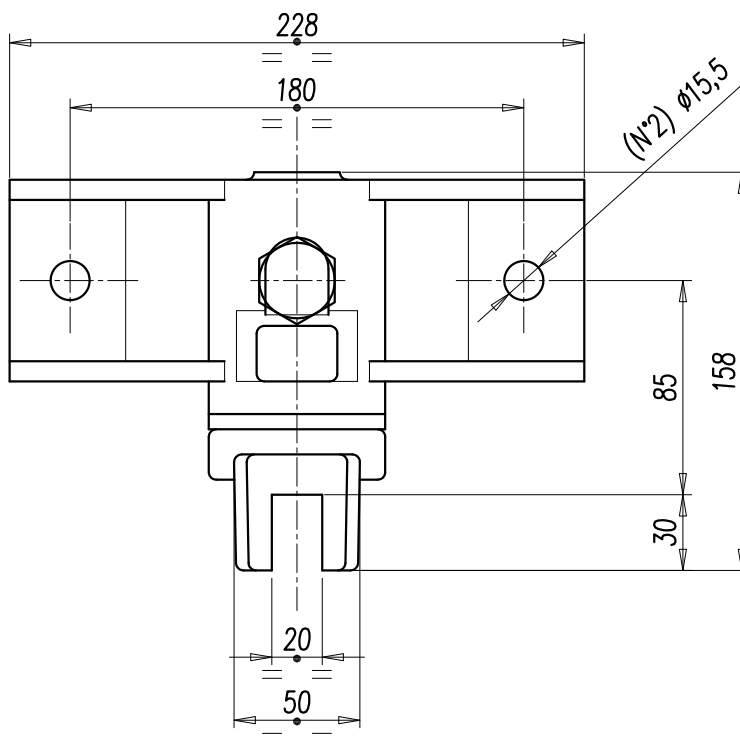
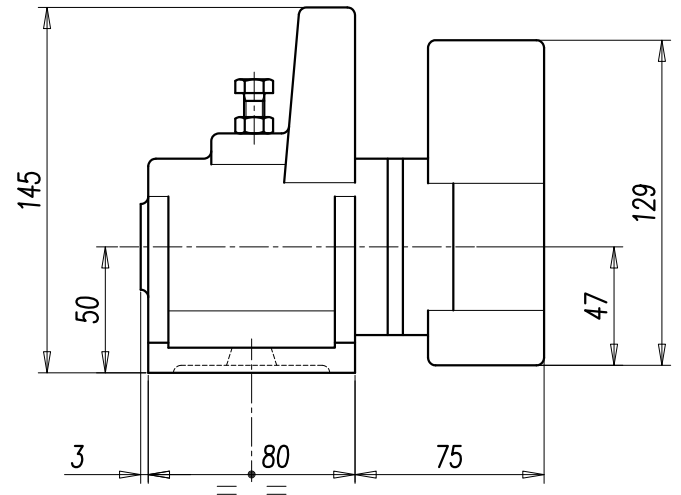
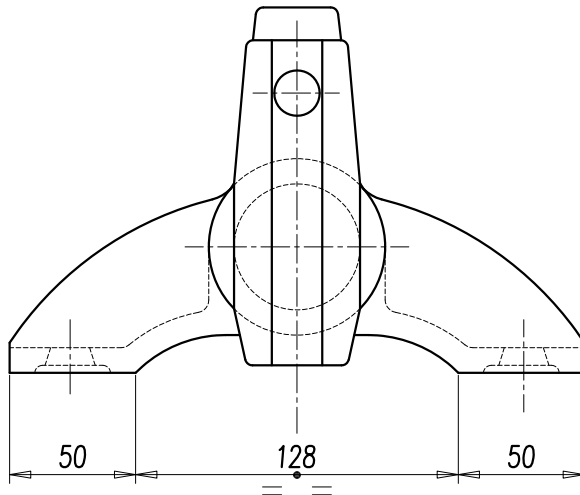


COMPONENTI MECCANICI  
PER ASCENSORI  
MECHANICAL LIFT  
COMPONENTS

PATTINO T-301  
GUIDE SHOES T-301

T-244

COD.8024430100



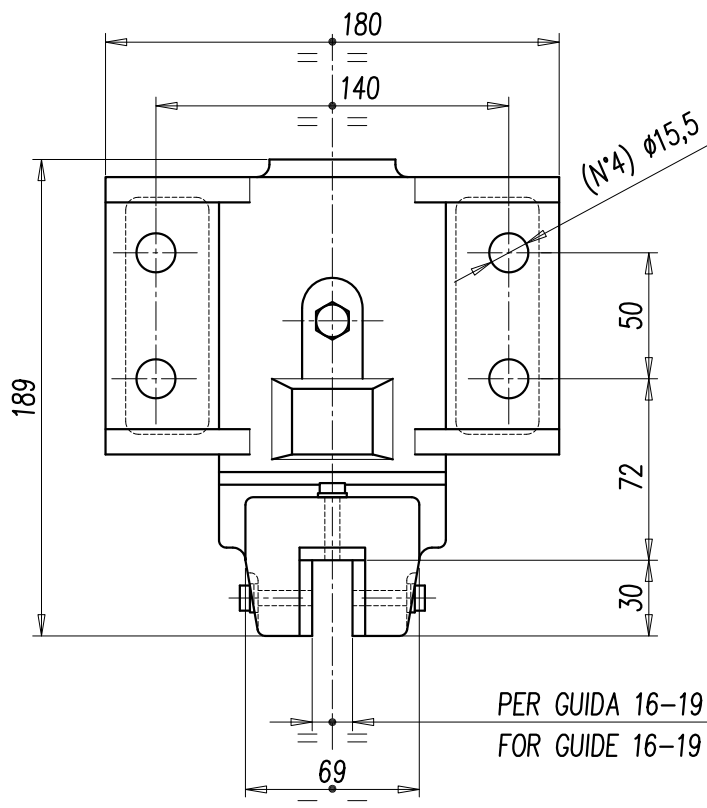
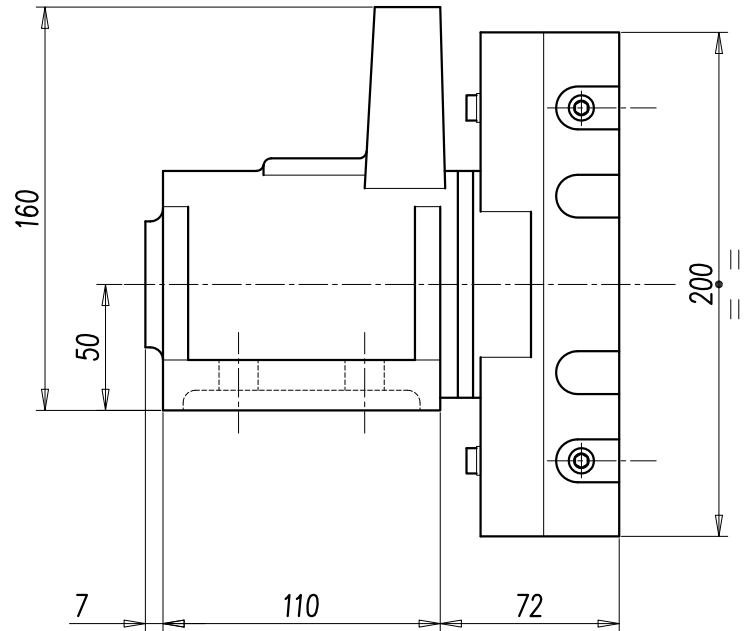
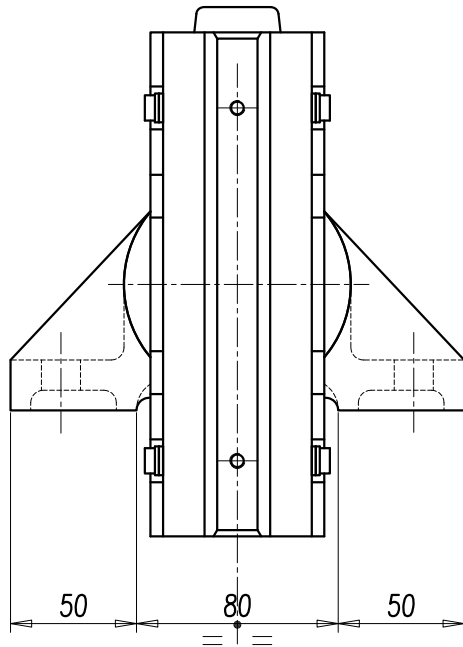
- DISPONIBILE A RICHIESTA COMPLETO DI GUARNIZIONE IN PLASTICA PER GUIDE DA 6 mm. A 12 mm.
- PESO 6 Kg.
- PORTATA 2000 Kg.
- FORNIBILE CON OLIAIORE

- AVAILABLE TO REQUEST COMPLETE WITH PLASTIC GUARNITURE FOR GUIDE FROM 6 mm. UP TO 12 mm.
- WEIGHT 6 Kgs.
- LOAD 2000 Kgs.
- AVAILABLE WITH OILER



PER GUIDA 16mm – FOR GUIDE 16mm : COD.8024430501

PER GUIDA 19mm – FOR GUIDE 19mm : COD.8024430519



PER GUIDA 16-19 mm  
FOR GUIDE 16-19 mm

- COMPLETO DI GUARNIZIONI IN OTTONE  
PER GUIDA 16-19 mm
- PESO 11 Kg.
- PORTATA 4000 KG.
- FORNIBILE CON OLIAITORE

- COMPLETE WITH BRASS GUARNITURE  
FOR GUIDE 16-19 mm
- WEIGHT 11 Kgs.
- LOAD 4000 Kgs.
- AVAILABLE WITH OILER



COMPONENTI MECCANICI  
PER ASCENSORI  
MECHANICAL LIFT  
COMPONENTS

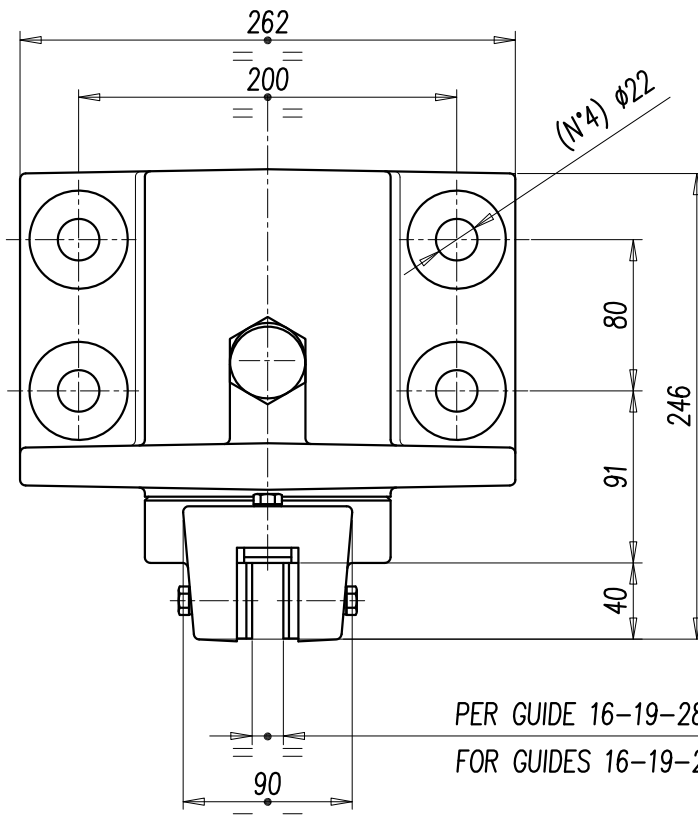
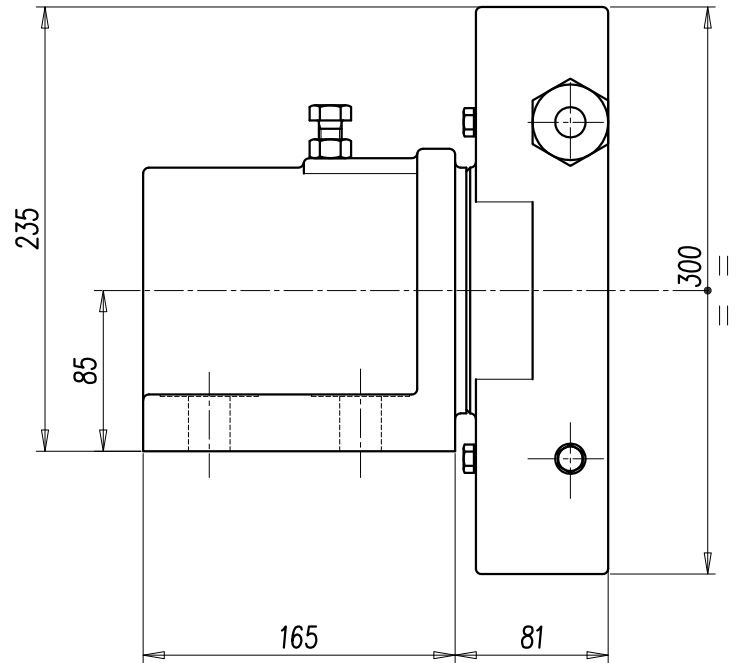
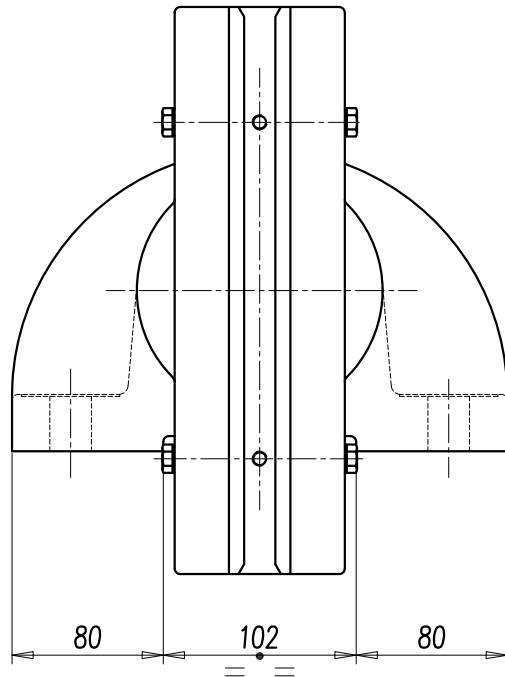
PATTINO T-306  
GUIDE SHOES T-306

T-244

PER GUIDA 16mm – FOR GUIDE 16mm : COD.8024430601

PER GUIDA 19mm – FOR GUIDE 19mm : COD.8024430619

PER GUIDA 28,6mm – FOR GUIDE 28,6mm : COD.8024430629



PER GUIDA 16-19-28,6 mm  
FOR GUIDES 16-19-28,6 mm

– COMPLETO DI GUARNIZIONI IN OTTONE

PER GUIDE 16-19-28,6 mm

– PESO 37 Kg.

– PORTATA 7000 Kg.

– COMPLETE WITH BRASS GUARNITURE

FOR GUIDES 16-19-28,6 mm

– WEIGHT 37 Kgs.

– LOAD 7000 Kgs.

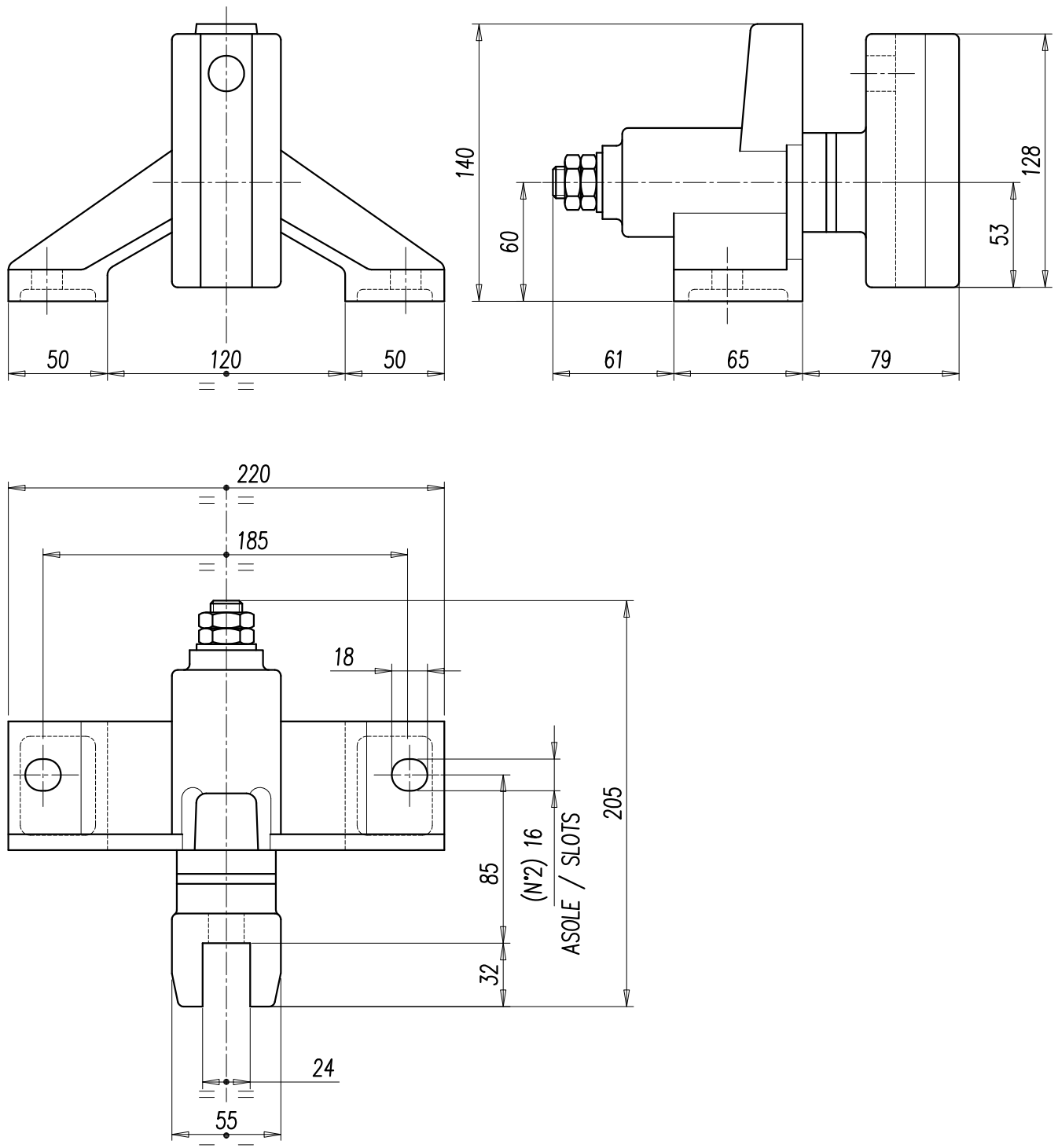


COMPONENTI MECCANICI  
PER ASCENSORI  
MECHANICAL LIFT  
COMPONENTS

PATTINO T-409  
GUIDE SHOES T-409

T-244

COD.8024440900



- DISPONIBILE A RICHIESTA COMPLETO DI  
GUARNIZIONE IN PLASTICA PER GUIDE  
DA 14 mm. O 16 mm.

- PESO 5 Kg.

- PORTATA 1500 Kg.

- FORNIBILE CON OLIAIORE

- AVAILABLE TO REQUEST COMPLETE WITH  
PLASTIC GUARNITURE FOR GUIDE OF  
14 mm. OR 16 mm.

- WEIGHT 5 Kgs.

- LOAD 1500 Kgs.

- AVAILABLE WITH OILER

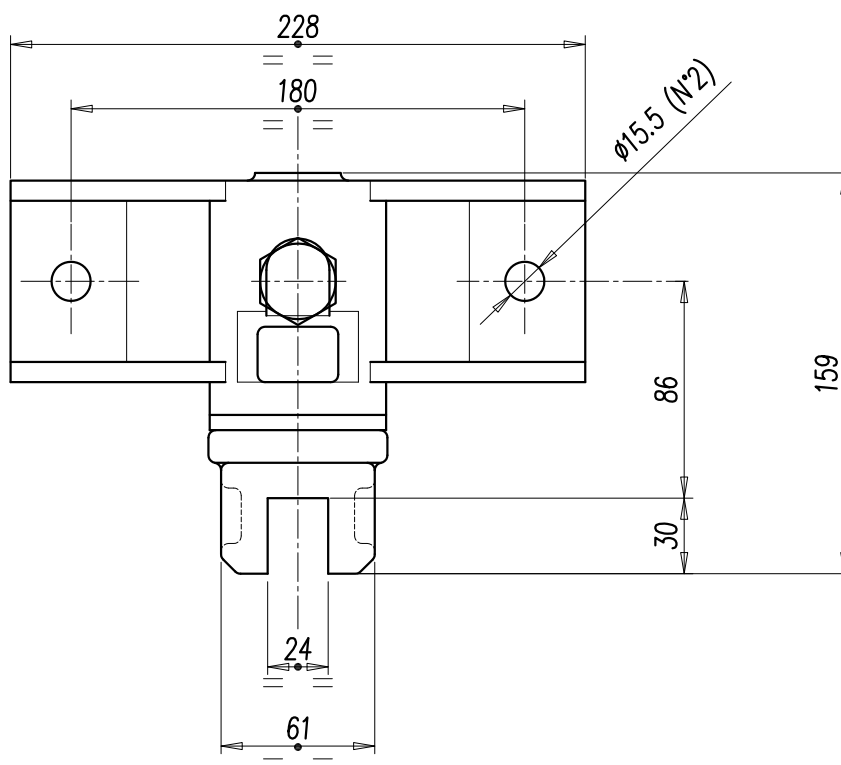
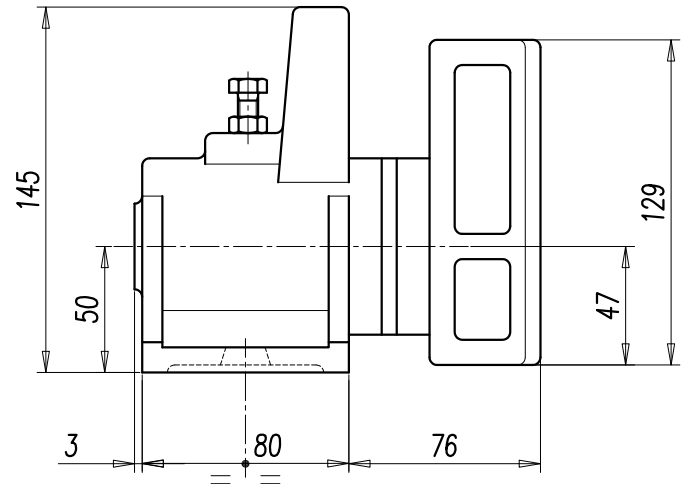
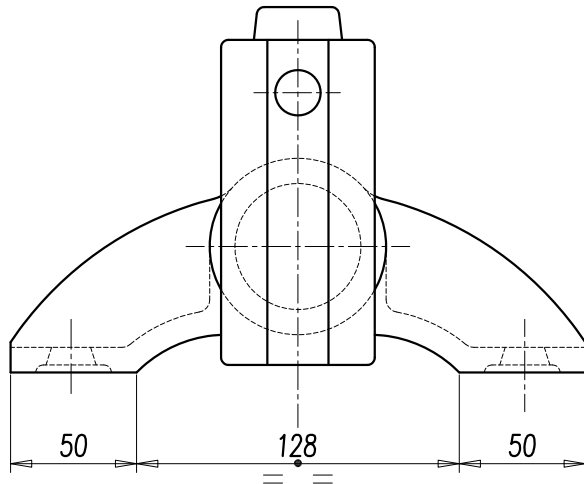


COMPONENTI MECCANICI  
PER ASCENSORI  
MECHANICAL LIFT  
COMPONENTS

PATTINO T-410  
GUIDE SHOES T-410

T-244

COD.8024441000



– DISPONIBILE A RICHIESTA COMPLETO DI  
GUARNIZIONE IN PLASTICA PER GUIDE  
DA 14 mm. O 16 mm.

– PESO 7 Kg.

– PORTATA 2500 Kg.

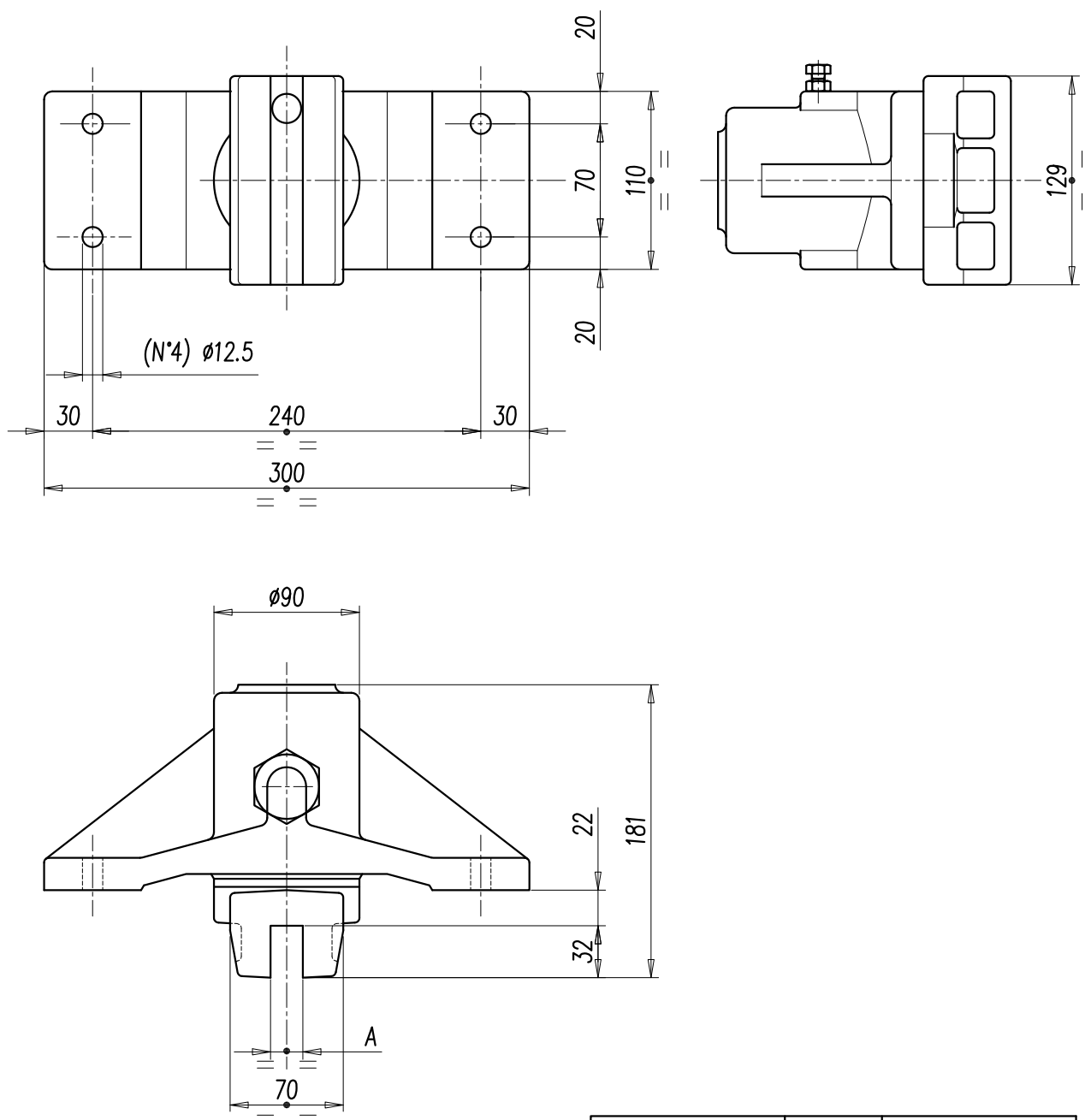
– FORNIBILE CON OLIAIORE

– AVAILABLE TO REQUEST COMPLETE WITH  
PLASTIC GUARNITURE FOR GUIDE OF  
14 mm. OF 16 mm.

– WEIGHT 7 Kgs.

– LOAD 2500 Kgs.

– AVAILABLE WITH OILER



TIPO TYPE	A	CODICE CODE
T.510/01	20	8024451001
T.510/02	24	8024451002

– DISPONIBILE A RICHIESTA COMPLETO DI  
GUARNIZIONE IN PLASTICA PER:

RIF.01 PER GUIDA DA 6 mm. A 12 mm.

RIF.02 PER GUIDA DA 14 mm. O 16 mm.

– PESO 12 Kg.

– PORTATA 4000 Kg.

– AVAILABLE TO REQUEST COMPLETE WITH  
PLASTIC GUARNITURE FOR:

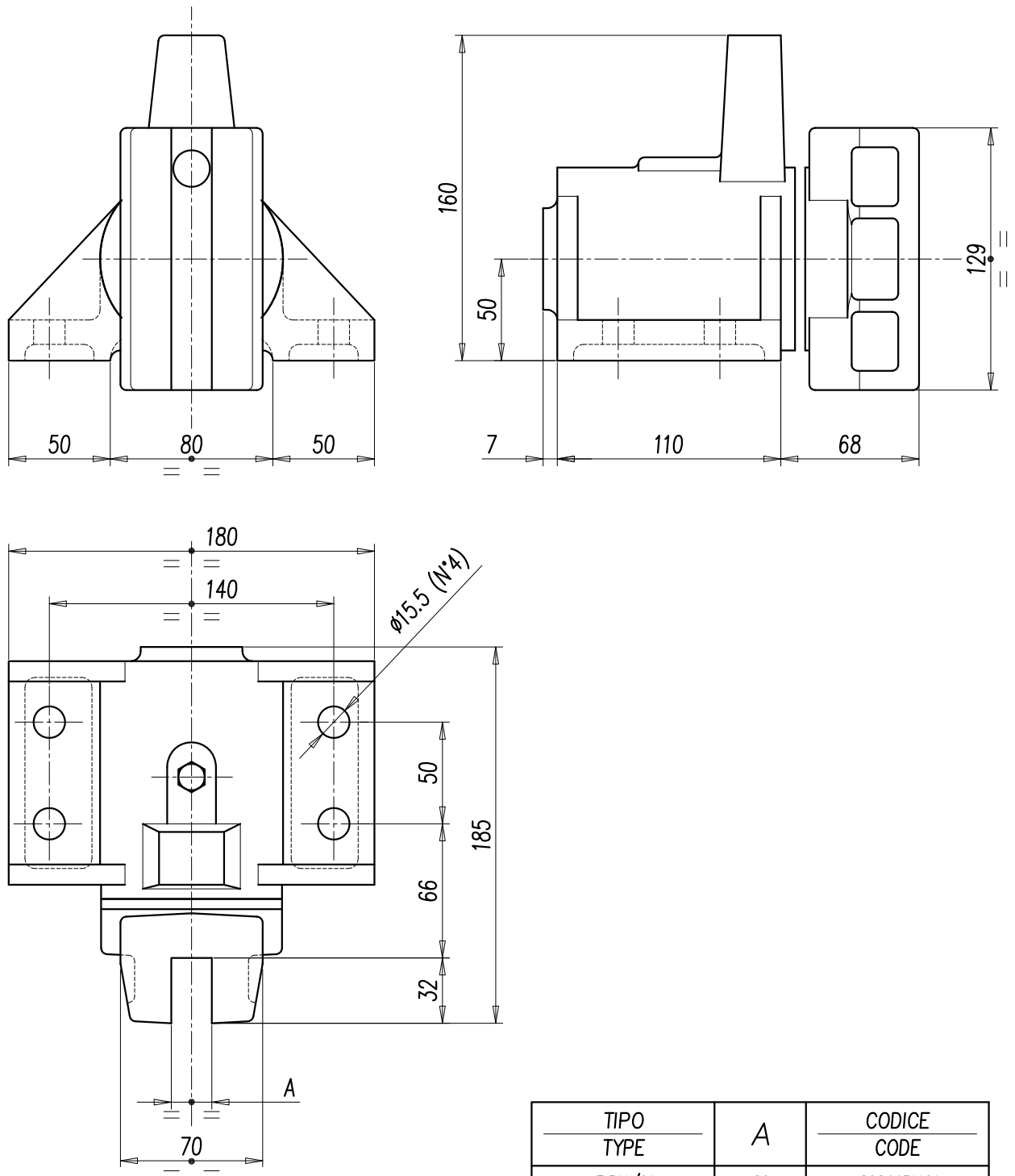
REF.01 FOR GUIDE FROM 6 mm. UP TO 12 mm.

REF.02 FOR GUIDE OF 14 mm. OR 16 mm.

– WEIGHT 12 Kgs.

– LOAD 4000 Kgs.

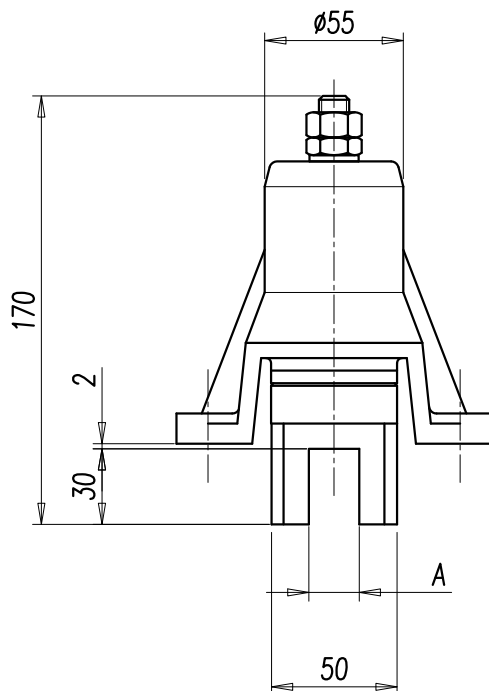
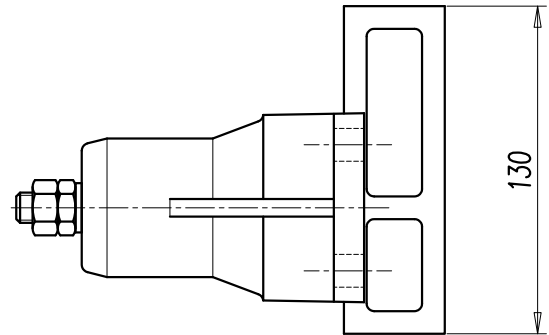
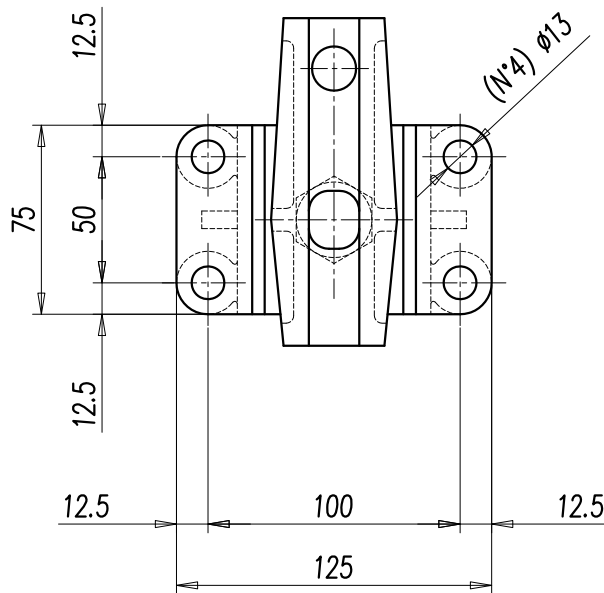




TIPO TYPE	A	CODICE CODE
T.511/01	20	8024451101
T.511/02	24	8024451102

- DISPONIBILE A RICHIESTA COMPLETO DI GUARNIZIONE IN PLASTICA PER:  
RIF.01 PER GUIDA DA 6 mm. A 12 mm.  
RIF.02 PER GUIDA DA 14 mm. O 16 mm.
- PESO 11 Kg.
- PORTATA 3500 Kg.
- FORNIBILE CON OLIAIORE

- AVAILABLE TO REQUEST COMPLETE WITH PLASTIC GUARNITURE FOR:  
REF.01 FOR GUIDE FROM 6 mm. UP TO 12 mm.  
REF.02 FOR GUIDE OF 14 mm. OR 16 mm.
- WEIGHT 11 Kgs.
- LOAD 3500 Kgs.
- AVAILABLE WITH OILER



TIPO TYPE	A	CODICE CODE
T.843/01	20	8024484300
T.843/02	24	8024484301

- DISPONIBILE A RICHIESTA COMPLETO DI GUARNIZIONE IN PLASTICA PER:
- RIF.01 PER GUIDE DA 6 mm. A 12 mm.
- RIF.02 PER GUIDA DA 14 mm. O 16 mm.
- PESO 3 Kg.
- PORTATA 1000 Kg.

- AVAILABLE TO REQUEST COMPLETE WITH PLASTIC GUARNITURE FOR:
- REF.01 FOR GUIDE FROM 6 mm. UP TO 12 mm.
- REF.02 FOR GUIDE OF 14 mm. OR 16 mm.
- WEIGHT 3 Kgs.
- LOAD 1000 Kgs.

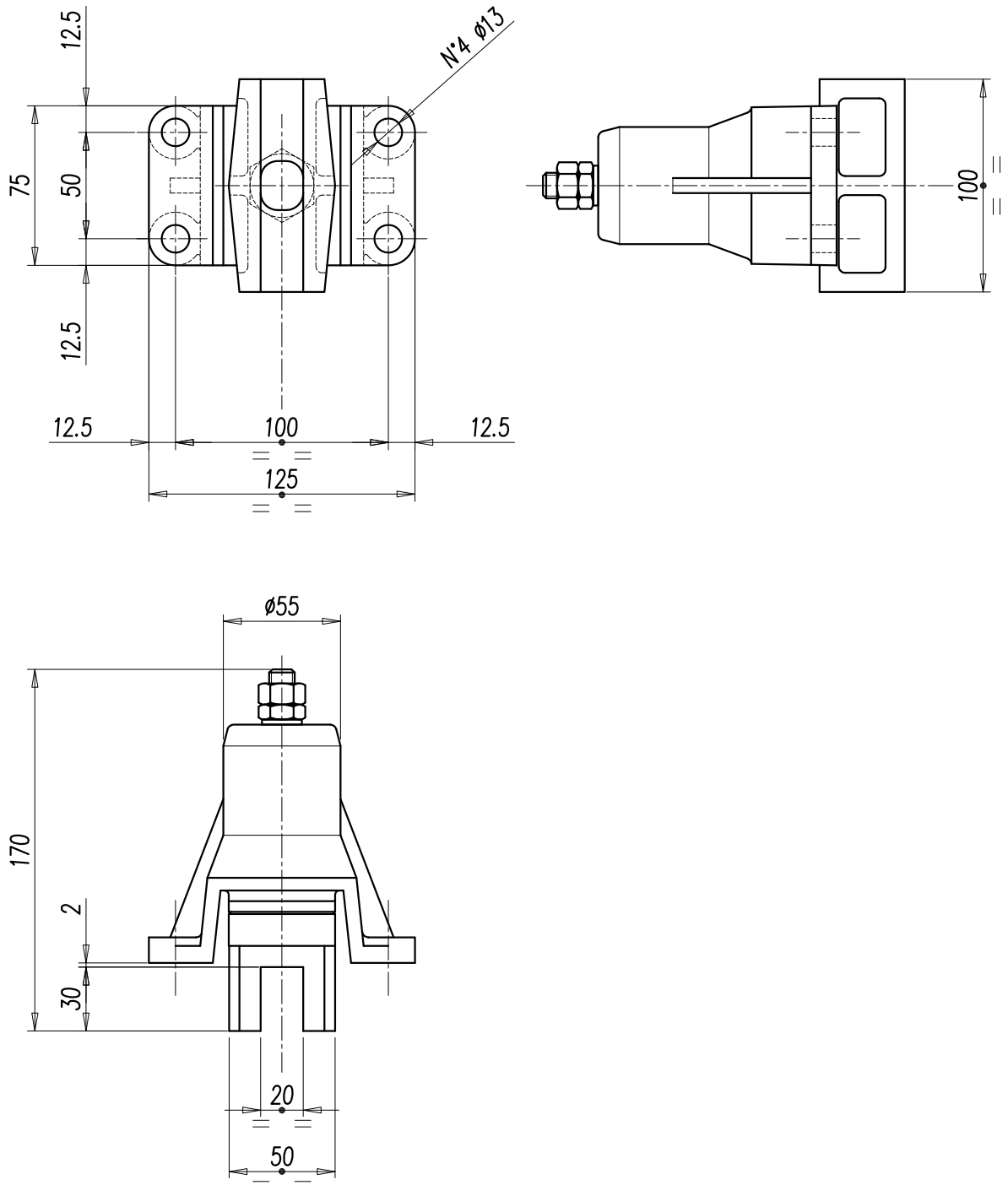


COMPONENTI MECCANICI  
PER ASCENSORI  
MECHANICAL LIFT  
COMPONENTS

PATTINO T-843/03  
GUIDE SHOES T-843/03

T-244

COD.8024484302



- DISPONIBILE A RICHIESTA COMPLETO DI  
GUARNIZIONE IN PLASTICA PER GUIDE

DA 6 mm. A 12 mm.

- PESO 3 Kg.

- PORTATA 1000 Kg.

- AVAILABLE TO REQUEST COMPLETE WITH  
PLASTIC GUARNITURE FOR GUIDE FROM

6 mm. UP TO 12 mm.

- WEIGHT 3 Kgs.

- LOAD 1000 Kgs.

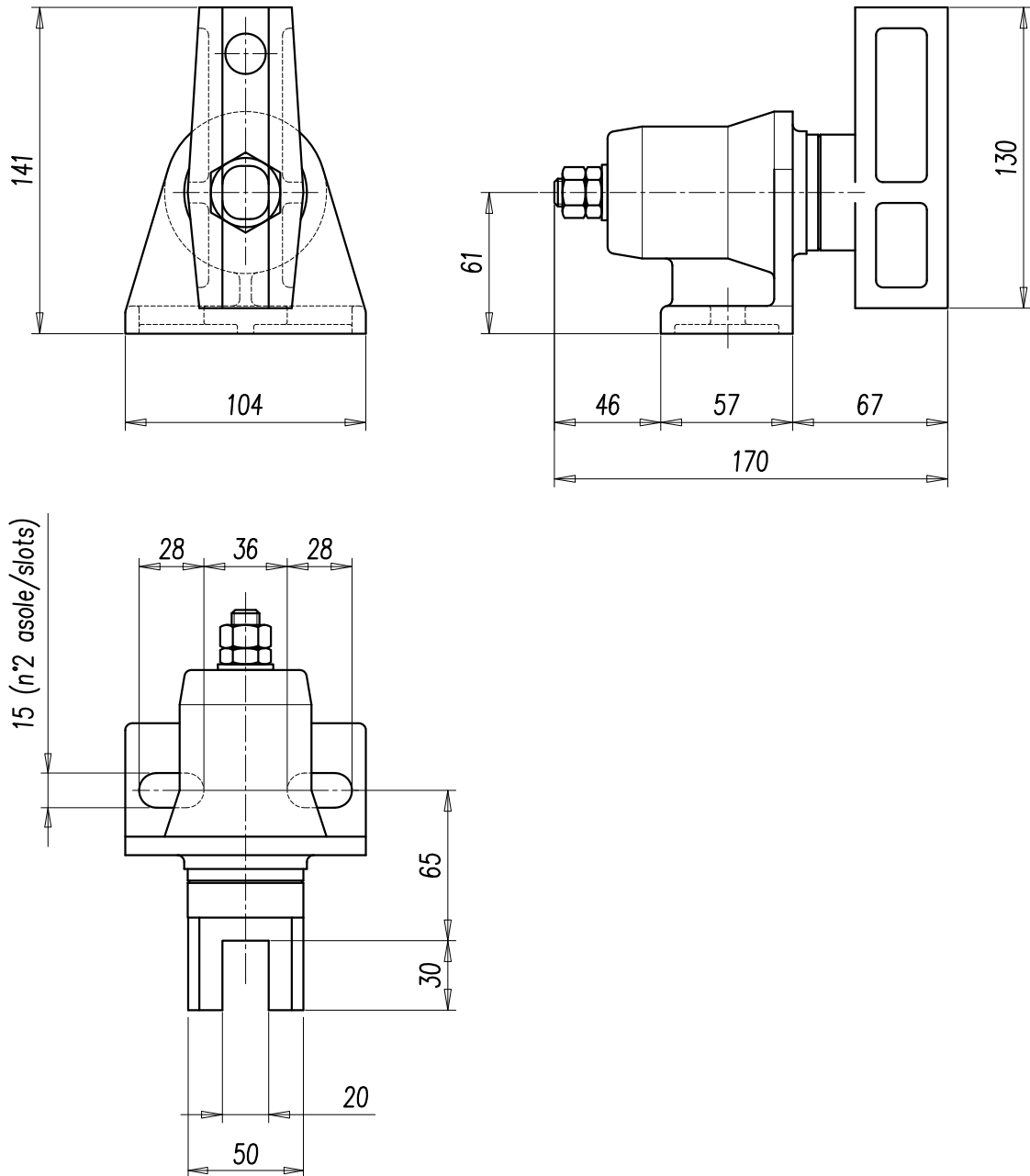


COMPONENTI MECCANICI  
PER ASCENSORI  
MECHANICAL LIFT  
COMPONENTS

PATTINO T-856  
GUIDE SHOES T-856

T-244

COD.8024485600



- DISPONIBILE A RICHIESTA COMPLETO DI  
GUARNIZIONE IN PLASTICA PER GUIDE

DA 6 mm. A 12 mm.

- PESO 3 Kg.

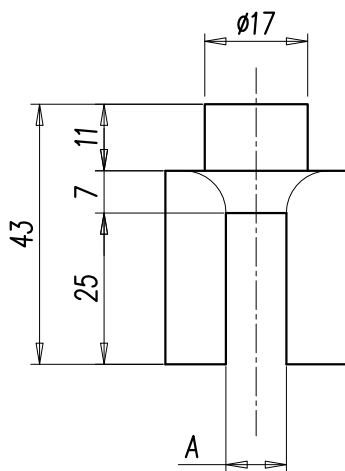
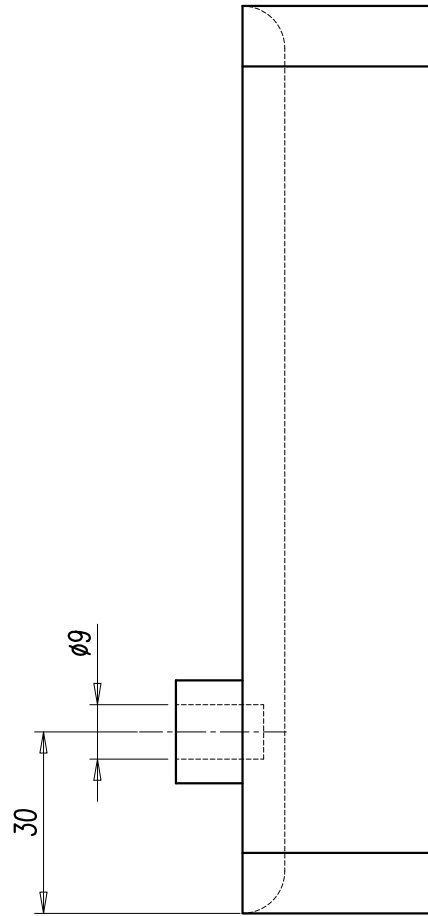
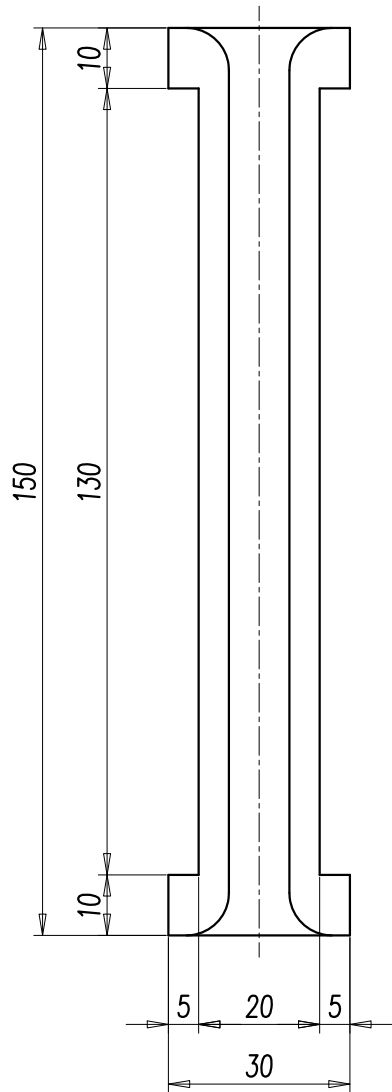
- PORTATA 1000 Kg.

- AVAILABLE TO REQUEST COMPLETE WITH  
PLASTIC GUARNITURE FOR GUIDE FROM

6 mm. UP TO 12 mm.

- WEIGHT 3 Kgs.

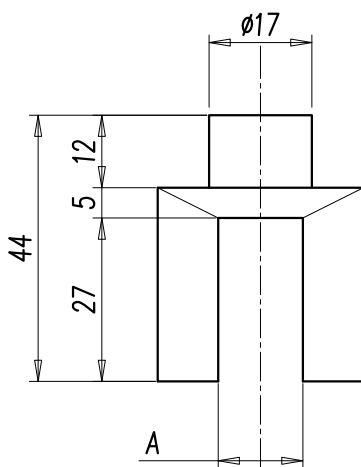
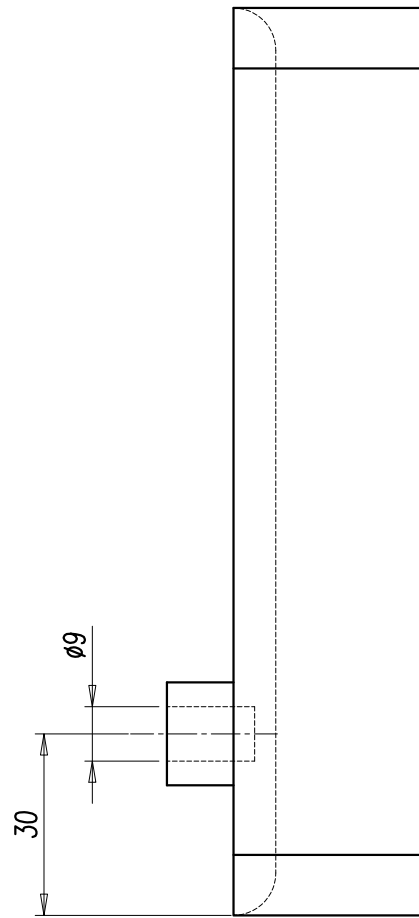
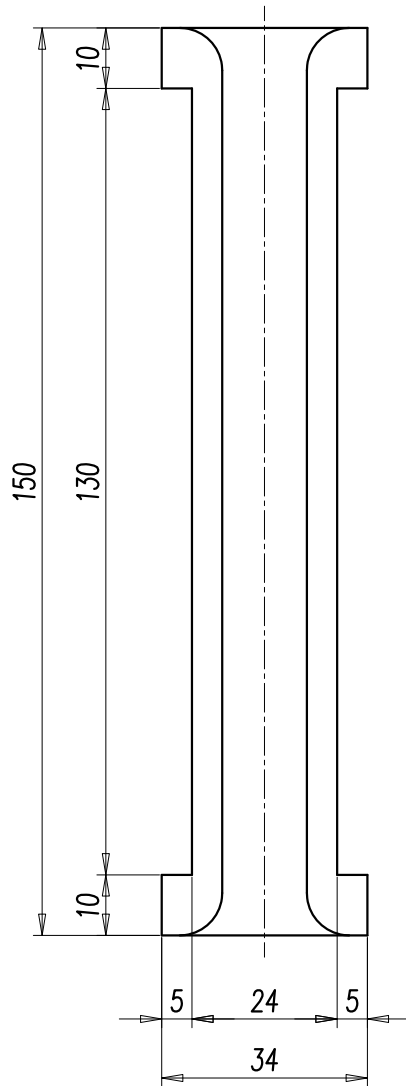
- LOAD 1000 Kgs.



TIPO TYPE	A	CODICE (TIPO RIGIDO) CODE (HARD TYPE)	CODICE (TIPO MORBIDO) CODE (SOFT TYPE)
T 50	6,5	8001000006	8001000106
T 60	7,5	8001000007	8001000107
T 70	8,5	8001000008	8001000108
T 80	9,5	8001000009	8001000109
T 100	10,5	8001000010	8001000110
T 120	12,5	8001000012	8001000112

– ADATTI A SUPPORTI E PATTINI TIPO :  
T.300 – T.301 – T.510/01 – T.511/01 – T.843/01 – T.856

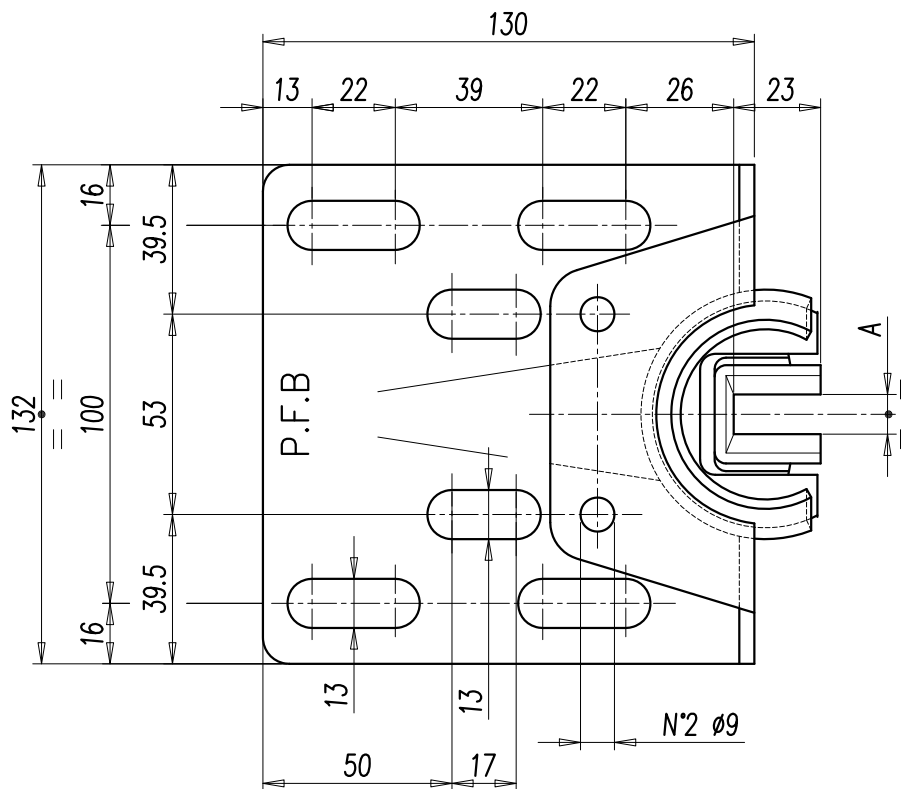
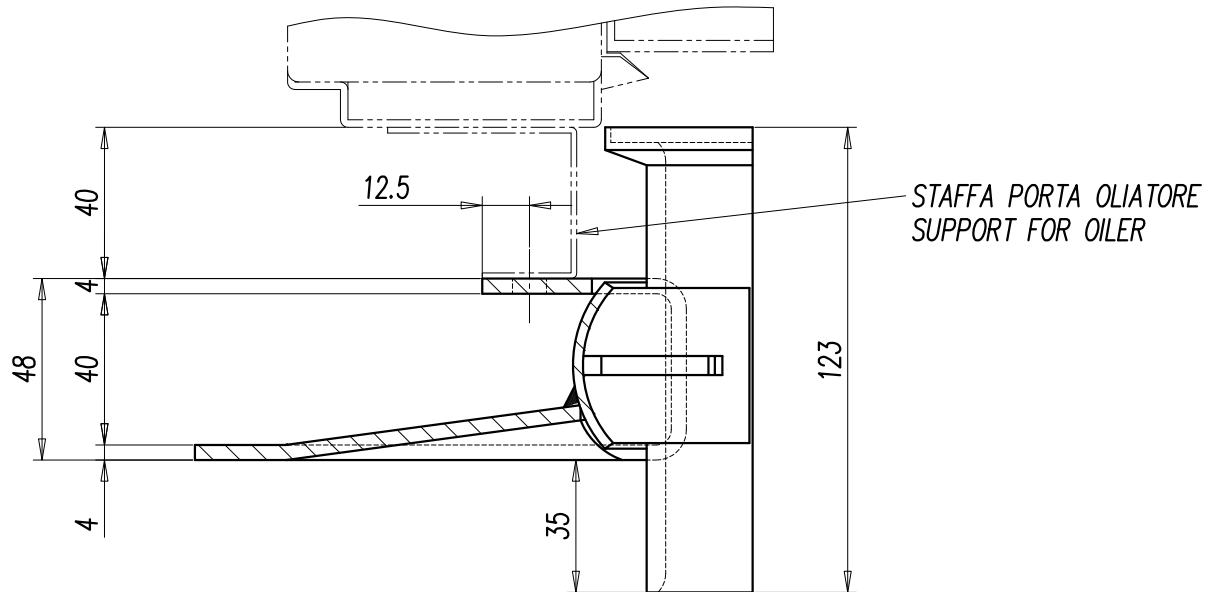
– SUITABLE FOR GUIDE SHOES TYPE :  
T.300 – T.301 – T.510/01 – T.511/01 – T.843/01 – T.856



TIPO TYPE	A	CODICE (TIPO RIGIDO) CODE (HARD TYPE)	CODICE (TIPO MORBIDO) CODE (SOFT TYPE)
T 140	14,5	8001000014	8001000114
T 160	16,5	8001000016	8001000116

– ADATTI A SUPPORTI E PATTINI TIPO :  
T.409 – T.410 – T.510/02 – T.511/02 – T.843/02

– SUITABLE FOR GUIDE SHOES TYPE :  
T.409 – T.410 – T.510/02 – T.511/02 – T.843/02



A	CODICE CODE
5,5	8024460005
6,5	8024460006
7,5	8024460007
8,5	8024460008
9,5	8024460009
10,5	8024460010
12,5	8024460012
16,5	8024460016

- COMPLETO DI GUARNIZIONE IN PLASTICA  
PER GUIDE DA 5 mm. A 16 mm.

- PESO 1 Kg.

- PORTATA FINO A 1000 Kg.

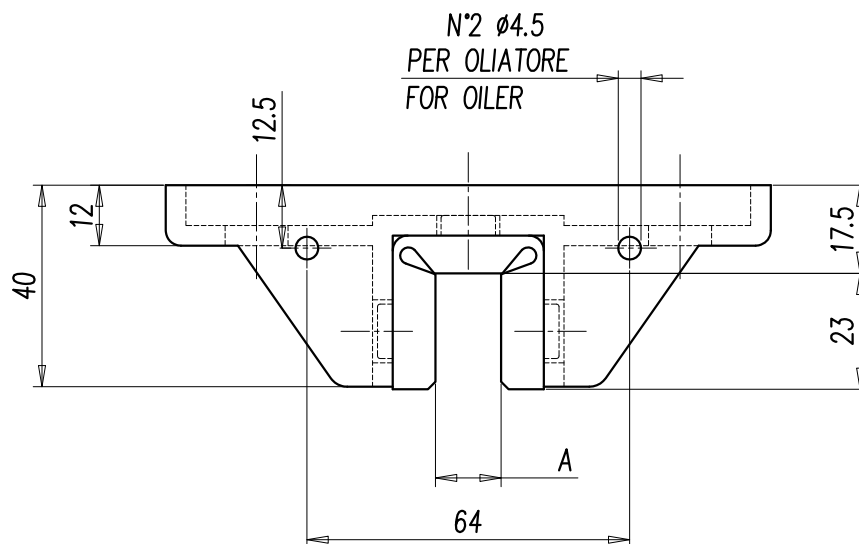
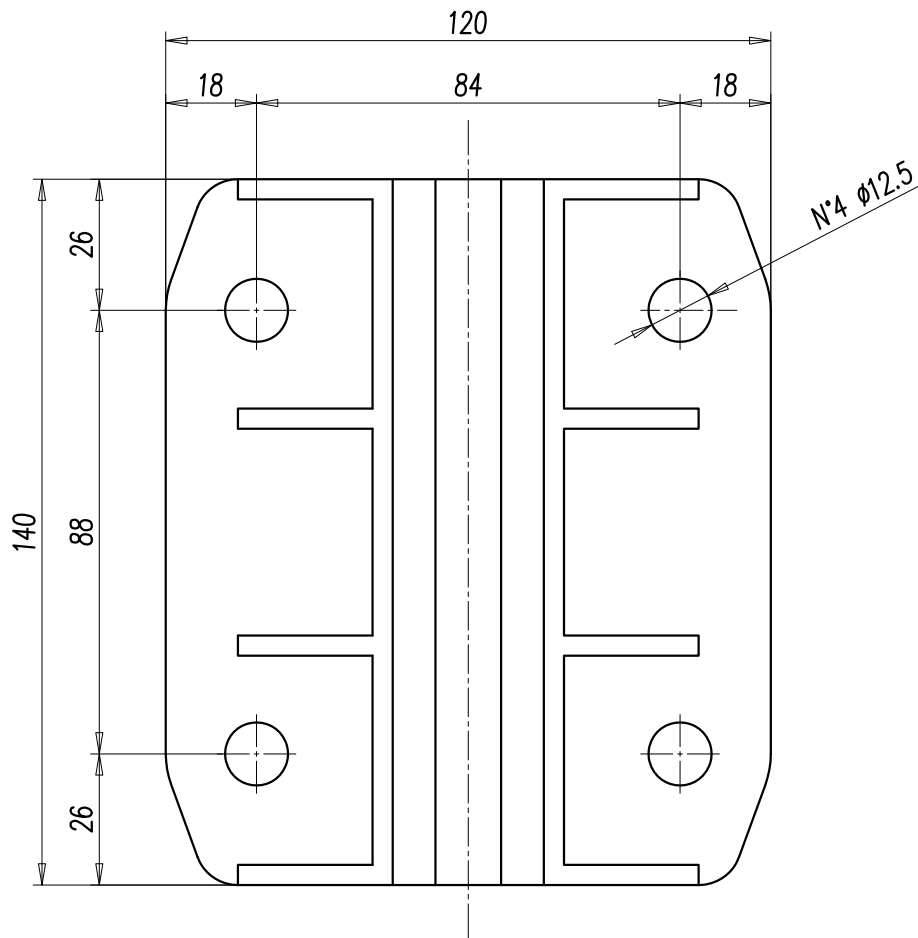
- FORNIBILE CON OLIAIORE

- COMPLETE WITH PLASTIC GUARNITURE FOR  
GUIDE FROM 5 mm. TO 16 mm.

- WEIGHT 1 Kg.

- LOAD UP TO 1000 Kgs.

- AVAILABLE WITH OILER



A	CODICE CODE
5,5	8024473105
6,5	8024473106
8,5	8024473108
9,5	8024473109
10,5	8024473110
12,5	8024473112
14,5	8024473114
16,5	8024473116

– COMPLETO DI GUARNIZIONE IN PLASTICA  
PER GUIDE DA 5 mm. A 16 mm.

– PESO 0,3 Kg.

– FORNIBILE CON OLIATORE

– PORTATA 1000 Kg.

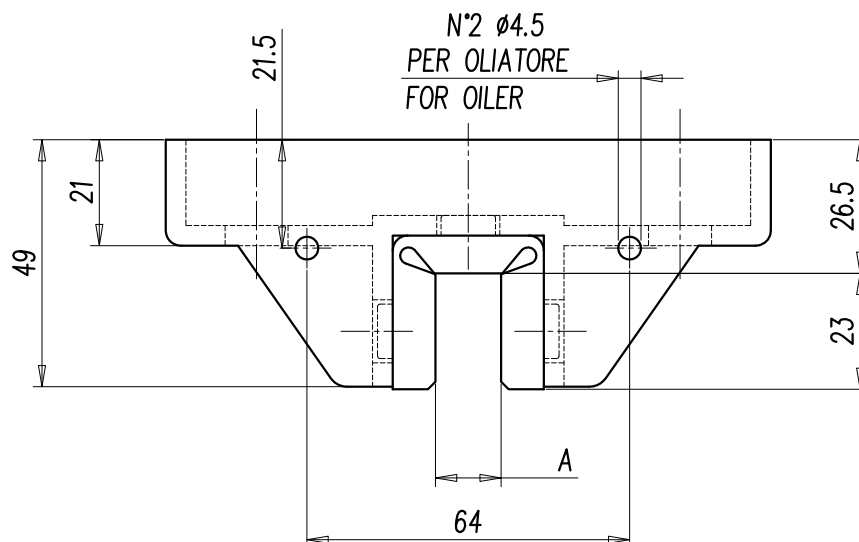
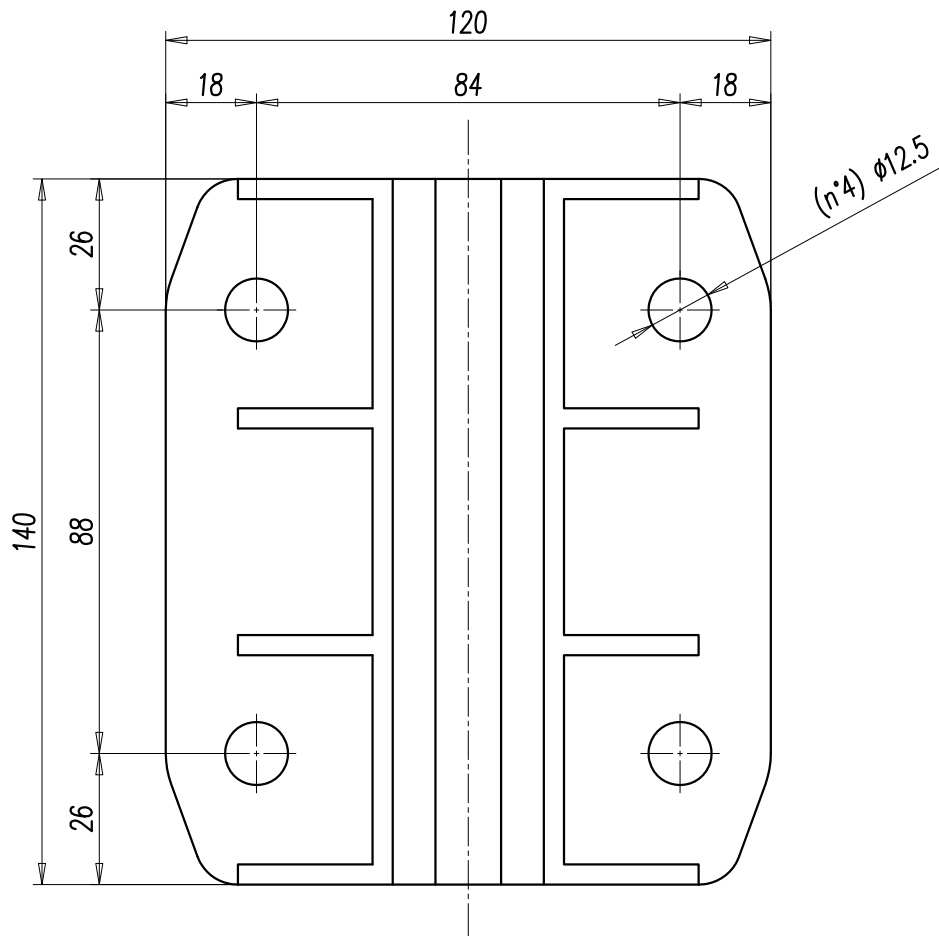
– COMPLETE WITH PLASTIC GUARNITURE FOR  
GUIDE FROM 5 mm. TO 16 mm.

– WEIGHT 0,3 Kgs.

– AVAILABLE WITH OILER

– LOAD 1000 Kgs.





A	CODICE CODE
5,5	8024473135
6,5	8024473136
8,5	8024473138
9,5	8024473139
10,5	8024473140
12,5	8024473142
14,5	8024473144
16,5	8024473146

– COMPLETO DI GUARNIZIONE IN PLASTICA  
PER GUIDE DA 5 mm. A 16 mm.

– PESO 0,3 Kg.

– FORNIBILE CON OLIATORE

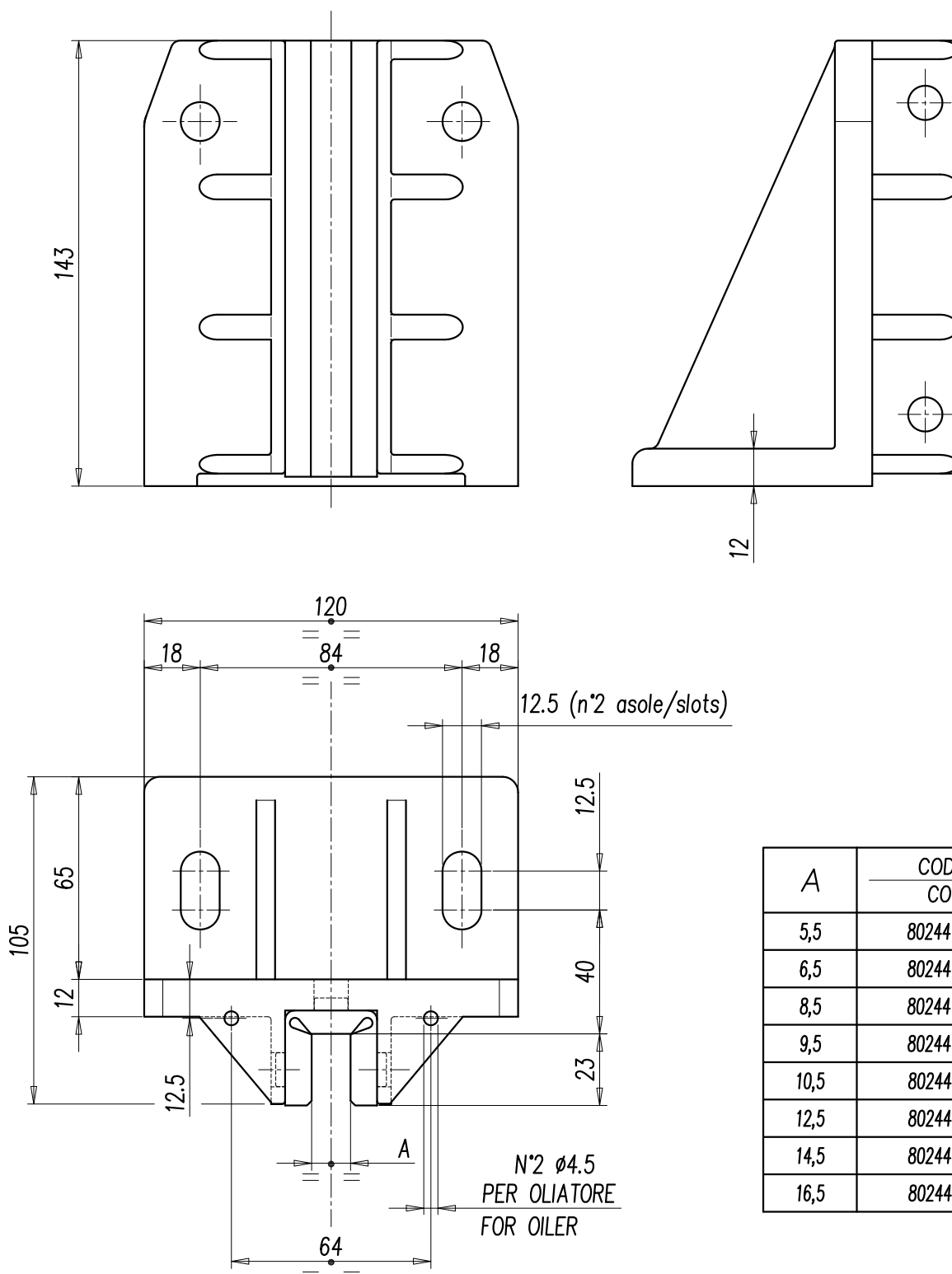
– PORTATA 1000 Kg.

– COMPLETE WITH PLASTIC GUARNITURE FOR  
GUIDE FROM 5 mm. TO 16 mm.

– WEIGHT 0,3 Kgs.

– AVAILABLE WITH OILER

– LOAD 1000 Kgs.



A	CODICE CODE
5,5	8024473205
6,5	8024473206
8,5	8024473208
9,5	8024473209
10,5	8024473210
12,5	8024473212
14,5	8024473214
16,5	8024473216

– COMPLETO DI GUARNIZIONE IN PLASTICA  
PER GUIDE DA 5 mm. A 16 mm.

– PESO 0,4 Kg.

– FORNIBILE CON OLIATORE

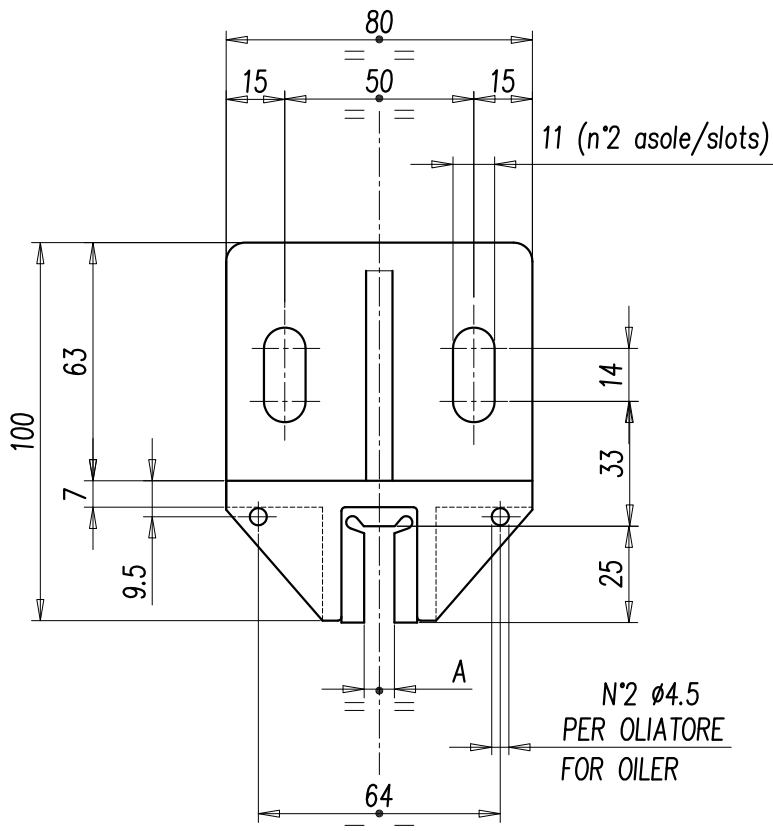
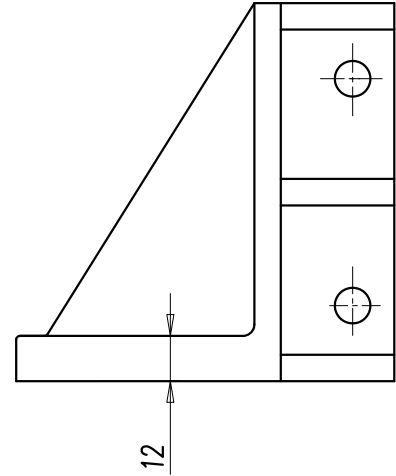
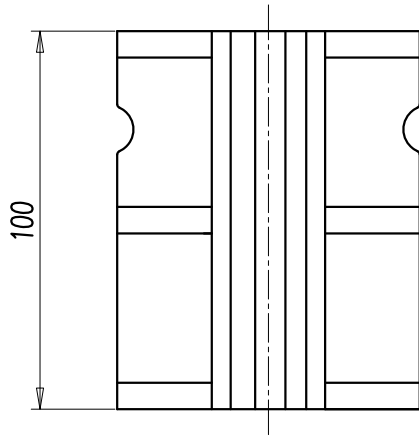
– PORTATA 1000 Kg.

– COMPLETE WITH PLASTIC GUARNITURE FOR  
GUIDE FROM 5 mm. TO 16 mm.

– WEIGHT 0,4 Kgs.

– AVAILABLE WITH OILER

– LOAD 1000 Kgs.



A	CODICE CODE
5,5	8024473305
6,5	8024473306
8,5	8024473308
9,5	8024473309

– COMPLETO DI GUARNIZIONE IN PLASTICA  
PER GUIDE DA 5 mm. A 9 mm.

– PESO 0,2 Kg.

– FORNIBILE CON OLIATORE

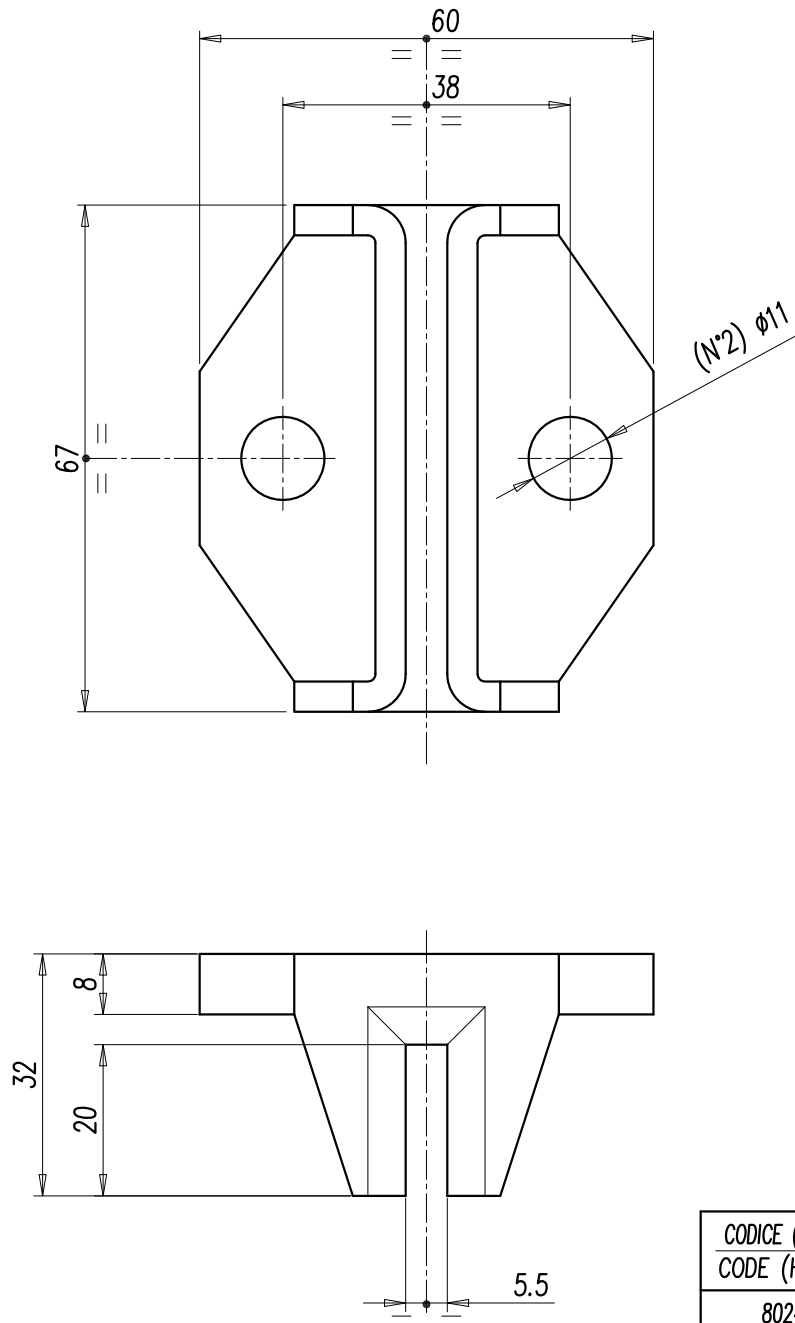
– PORTATA 1000 Kg.

– COMPLETE WITH PLASTIC GUARNITURE FOR  
GUIDE FROM 5 mm. TO 9 mm.

– WEIGHT 0,2 Kgs.

– AVAILABLE WITH OILER

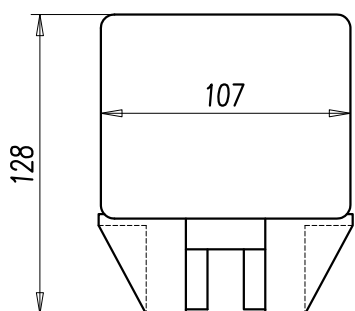
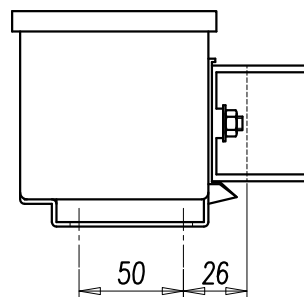
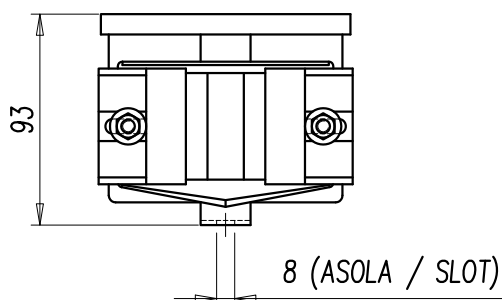
– LOAD 1000 Kgs.



<i>CODICE (TIPO RIGIDO)</i> CODE (HARD TYPE)	<i>CODICE (TIPO MORBIDO)</i> CODE (SOFT TYPE)
8024475000	8024475001



OLIATORE  
OILER



CODICE OLIATORE OILER CODE
8800000000

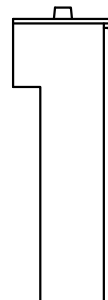
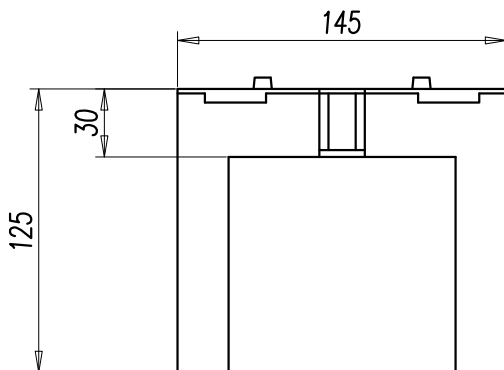
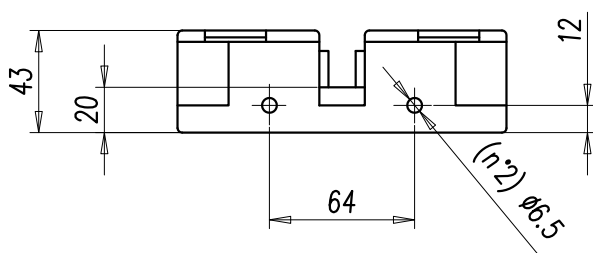
(\*) = CON STAFFA DI FISSAGGIO

(\*) = WITH SUPPLEMENTARY BRACKET

- ADATTO A SUPPORTI E PATTINI TIPO :
- SUITABLE FOR GUIDE SHOES TYPE :

T.300-T.301-T.305-T.306(\*)-T.409-T.410-T.510-T.511-T.600-T.843-T.856

OLIATORE  
OILER



CODICE OLIATORE OILER CODE
8800000100

- ADATTO A SUPPORTI E PATTINI TIPO :
- SUITABLE FOR GUIDE SHOES TYPE :

T.731 - T.732 - T.733