

## Europa overspeed governor 20.200 y 20.300 with UCM

■ Overspeed governor Europa models with device to detect and protect the Unintended Car Movement, UCM.

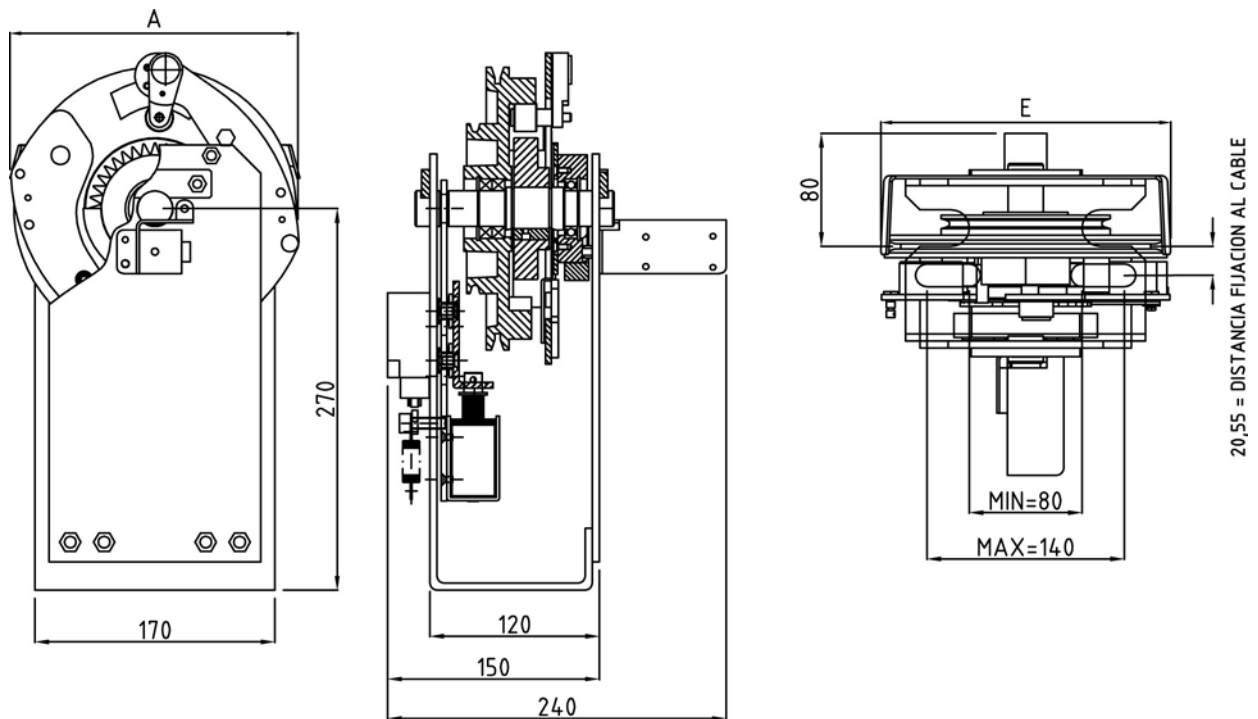
This device is designed to fulfill the article about detection in point 9.11 "protection against unintended car movement" regulation EN 81-1:1998+A3:2009 and "system of preactivation of stoppage" in regulation EN81:21.

This device detects uncontrolled car movement (UCM) before the car leaves the unblocking zone and provokes the mechanical tripping of the overspeed governor, permitting the STOPPAGE of the car on activation of the safety gears and it is MAINTAINED STOPPED by means of this.

<b>Pulley</b> Poulie Rolle	<b>Rope</b> Câble Kabel	<b>Nominal speed</b> Vitesse nominale Aufzugsgeschwindigkeit	<b>Tripping speed</b> Vitesse d'enclenchement Blockierungsgeschwindigkeit
Ø 200 mm.	Ø 6 mm.	≤2,50 m/s.	0,65 ÷ 3,15 m/s.
Ø 300 mm.	Ø 6 - 6.5 - 8 mm.	≤2,50 m/s.	0,65 ÷ 3,00 m/s.



Model	ØA (mm)	E (mm)	F (mm)	ED	Cable	Tension Weight
20.245	200	250	240	—	6 mm	12.064.0A 12.064.0M
20.246	200	250	225	24VDC (1,9A)		
20.247	200	250	225	230VAC (0,2A)		
20.248	200	250	225	48VDC (1A)		
20.249	200	250	225	195VDC (0,2A)		
20.345	300	355	240	—	6-6,5-8 mm	12.065.0A
20.346	300	355	225	24VDC (1,9 A)		
20.347	300	355	225	230VAC (0,2A)		
20.348	300	355	225	48VDC (1A)		
20.349	300	355	225	195VDC (0,2A)		



\*All overspeed governors have a test Groove and protection against stray objects. (included)  
Tous les limiteurs de vitesse ont canal d'essai et protection de chute d'objects. (inclusés)  
Alles Geschwindigkeitsbegrenzer haben testkanal und schutz gegen. (Streugegenstände)

**Gervall**

APLICACIONES ELECTROMECHANICAS GERVALL, S.A.  
Eusebi Millán, 5-7 Pol. Ind. Roquetes  
Apdo. Correos 42  
08800 Vilanova i la Geltrú (Barcelona-España)  
Tel. 93 893 0228 Fax. 93 893 5590  
Web: [www.gervall.com](http://www.gervall.com) email: [comercial@gervall.com](mailto:comercial@gervall.com)

Note: The company reserves the right to supply materials that may differ slightly from those described in this catalogue.